

3-15 TIP

The Future of Fume Extraction



FEATURES

- Filter blocked warning system
- Highest grade HEPA and carbon technology
- Quiet in operation
- Simple to install and easy to relocate
- Up to 15 soldering tips

SPECIFICATIONS

Voltage	230v
Wattage	0.5kW
Frequency	50Hz / 60Hz
Cabinet Height	493mm
Cabinet Width	471mm
Cabinet Depth	430mm
Cabinet Weight	26Kg
Sound Level	<60dBa
Airflow	200m3/h

INCLUDED AS STANDARD...

FILTERS



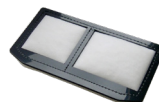
Main Filter Code
110531

Description
HEPA/Chemical



Pre-filter Code
200096

Description
F8/F9 Pad



Pre-filter Code
200053

Description
Exhaust Filter

Find out more:

 www.purex.co.uk

 purex@purex.co.uk

 +44 (0)1405 746030

CONNECTION KIT

*Connection kit is included
see overleaf for options*

OPTIONS

Main Filter

Code:	Description:
110532	Chemical
110542	Chemical Special
110533	HEPA/Chemical (Cleanroom)
110541	Solvent Lock

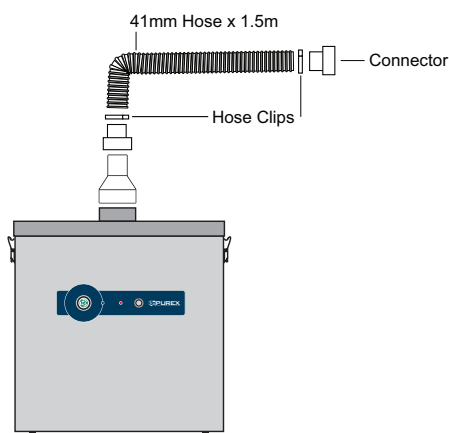
Pre-filter

Code:	Description:
200522	F5

Connection Kits

Code: 072300

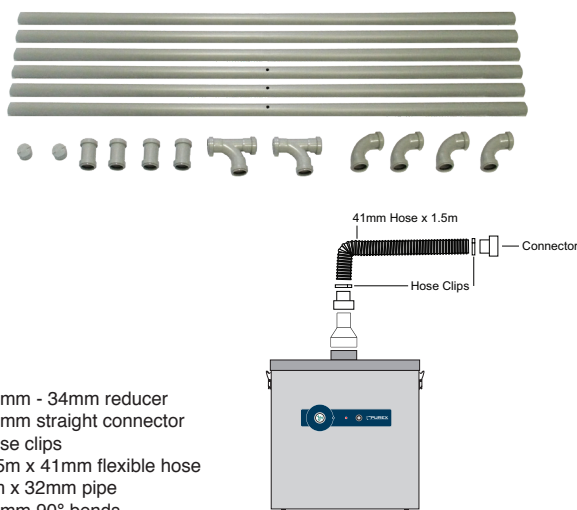
Machine + Hose Kit



- 1 x 80mm - 34mm reducer
- 2 x 32mm straight connector
- 2 x hose clips
- 1 x 1.5m x 41mm flexible hose

Code: 072200

Machine + 3 Station Tip Kit



- 1 x 80mm - 34mm reducer
- 6 x 32mm straight connector
- 2 x hose clips
- 1 x 1.5m x 41mm flexible hose
- 3 x 3m x 32mm pipe
- 4 x 32mm 90° bends
- 2 x 32mm swept 'T'
- 2 x end caps
- 3 x universal soldering iron kits (300001 - see below)

If you do not see a connection kit that fits your machine or pipework, please contact Purex or your representative

Soldering Tip Kits

Code: 300001

Universal Soldering Iron Kit



- 1 x 1.5m x 6mmID x 1.5mm wall clear silicone hose
- 1 x screw in adaptor (8mm hose, M10)
- 5 x 8mm Ø hose clips
- 1 x universal iron stand
- 1 x soldering iron stand
- 1 x cup standard iron
- 1 x cup metal iron
- 1 x extraction tube clip weller
- 1 x extraction tube clip metal/mini weller
- 1 x extraction tube strap universal
- 1 x 6mm Ø x 100mm extraction tube weller
- 1 x 6mm Ø x 135mm extraction tube metal
- 1 x 6mm Ø x 225 extraction tube universal



Purex International Limited
QWP House, Island Drive
Capitol Park, Thorne
Doncaster, UK
DN8 5UE