



FEATURES

- VariColour filter blocked warning system
- Highest grade HEPA and carbon technology
- Automatic electronic flow control - maintains a constant extraction rate even as the filter blocks
- Quiet in operation
- Simple to install and easy to relocate

SPECIFICATIONS

Voltage	230v	100v - 230v
Wattage	0.14kW	0.21kW
Frequency	50Hz / 60Hz	50Hz / 60Hz
Cabinet Height	493mm	493mm
Cabinet Width	308mm	308mm
Cabinet Depth	330mm	330mm
Cabinet Weight	14kg	14kg
Sound Level	<60dBa	<60dBa
Airflow	170m3/h	190-220m3/h

INCLUDED AS STANDARD...

FILTERS



Main Filter
Code
110507

Description
HEPA/Chemical



Pre-filter
Code
111124

Description
F8/F9 Labyrinth

Find out more:

 www.purex.co.uk

 purex@purex.co.uk

 **+44 (0)1405 746030**

CONNECTION KIT

*Connection kit is included
see overleaf for options*

OPTIONS

Main Filter

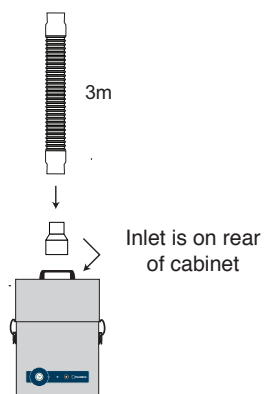
Code:
110504

Description:
Chemical

Connection Kits

Machine + Hose Kit

Voltage	Part Number
230v	072140
Multi Voltage	072141

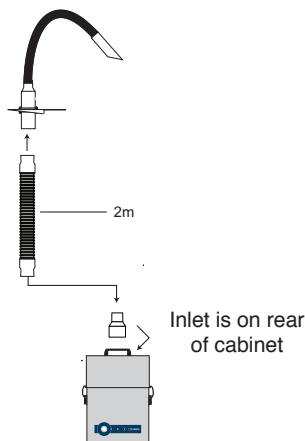


Includes:
3m x 50mm flexible hose
2 x connecting cuffs



Machine + 38mm Single Arm Kit

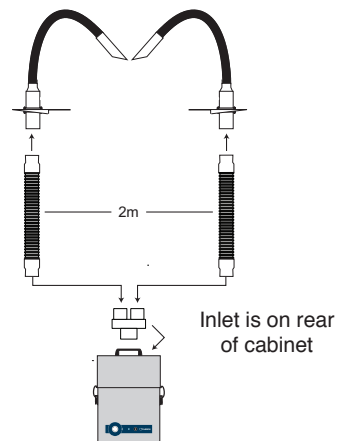
Voltage	Part Number
230v	072142
Multi Voltage	072143



38mm Single arm kit includes:
1 x 80 - 51mm reducer
1 x Arm Kit (100295) *see below*

Machine + 38mm Dual Arm Kit

Voltage	Part Number
230v	072144
Multi Voltage	072145



38mm Dual arm kit includes:
1 x 80 - 51mm dual manifold
2 x Arm Kits (100295) *see below*

100295

Includes:
1 x 2m x 50mm flexible hose
2 x connecting cuffs
1 x 38mm stainless steel flexible arm with valve
1 x 95mm conical cowl
1 x 38mm pen nib
1 x clamped bench bracket



Replacement Arms

Code:
120128

Description:
38mm x 1.5m flexible stainless steel arm

38mm

120129

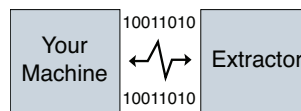
38mm x 0.75m flexible stainless steel arm

120199

38mm x 0.5m flexible stainless steel arm



Interfacing



Interfacing can remotely start the Purex machine when the connected machine starts.

Interfacing can also warn the connected machine when the Purex machine is in alarm.

Take a look through our Interfacing Guide to see our extensive range of options



Purex International Limited
QWP House, Island Drive
Capitol Park, Thorne
Doncaster, UK
DN8 5UE